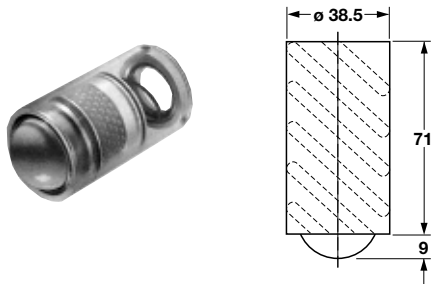


### Castors

#### Rolling Star Casters

- Rigid and Retractable versions available in various sizes
- Ball bearing roller is made with the high grade plastic material POM (Polyoxmethylen)
- Maximum abrasion resistance provides long life
- When the roller is loaded, a galvanized steel spring provides flexibility
- Exterior sleeve and the supersonically sealed lid are made of PP (Polypropylene)

**Retractable version:** When a load is put onto a piece of furniture, the rolling ball retracts into the socket and furniture stands directly and firmly on the floor. When the load is taken off the furniture, the spring pushes the rolling ball out and the furniture can be moved.

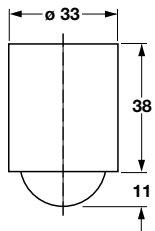


#### Rolling Star with Spring, (retractable)

- A solid design, suitable for heavy upholstery
  - Spring is fixed at: **14 kg** (31 lbs.)
- Material: Case: POM; Ball: PP  
Spring: steel, galvanized

Color	Item No.
white	661.03.026

\*Packing: 20 pcs.

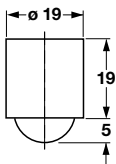


#### Rolling Star without Spring (rigid)

- Suitable for heavy furniture
  - Maximum load carrying capacity: **40 kg** (88 lbs.)
- Material: Case: POM; Ball: PP

Color	Item No.
white	661.03.035

\*Packing: 20 pcs.

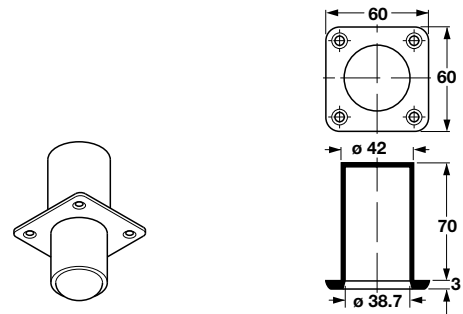


#### Rolling Star without Spring (rigid)

- Ideal for small furniture or tables
  - Maximum load carrying capacity: **15 kg** (33 lbs.)
- Material: Case: POM; Ball: PP

Color	Item No.
white	661.03.008

\*Packing: 20 pcs.



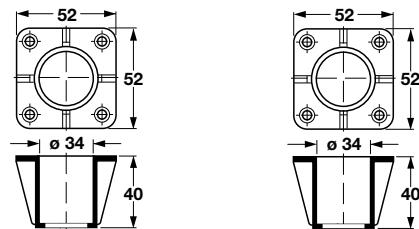
#### Optional Mounting Sleeve for 661.03.026

- Inserts into  $\varnothing 42$  mm hole and screws to the underside of the frame

Material: plastic

Color	Item No.
black	661.03.320

\*Packing: 20 pcs.



#### Optional Mounting Sleeve for 661.03.035

- Screw-mounts to the underside of the furniture

Material: plastic

Color	Item No.
black	661.03.339

\*Packing: 20 pcs.